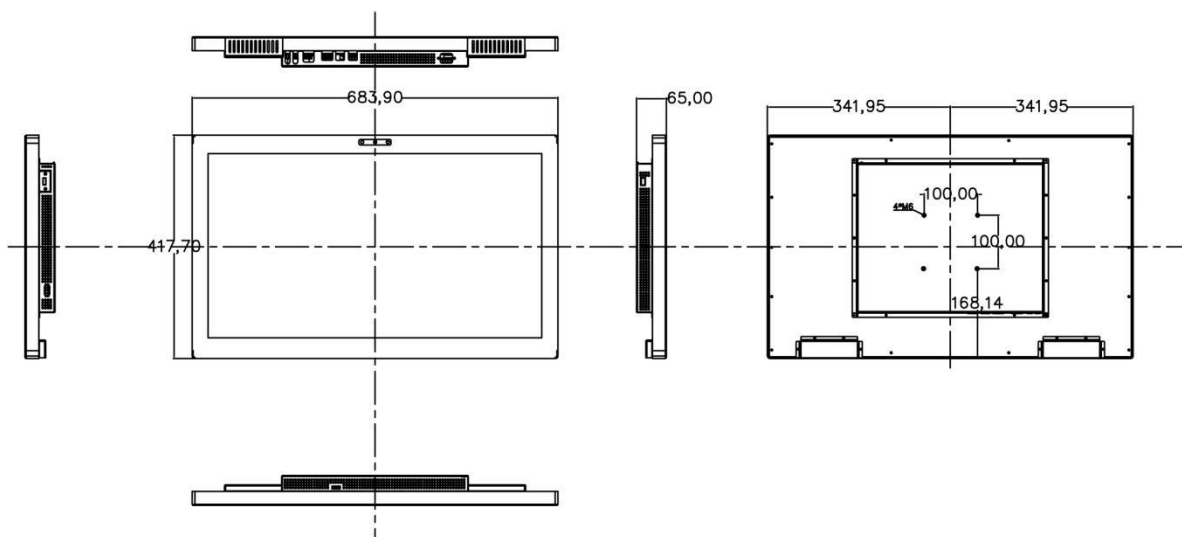


**M090L028 Glasses-free
3D Monitor
Specification
V1.0**

SPECIFICATIONS

Basic Specifications	
Product Model	M090L028
Display Type	28"LCD
Display Resolution	3840 x 2160
Contrast Ratio	1000:1(Type)
Brightness	300cd/m ² (Type)
Aspect Ratio	16:9
Color Gamut	72% NTSC
Backlight	LED
Viewing Angle	85° /85° /80° /80° (Type)
Video Input	HDMI, DP
Audio Output	5W x 2
Glasses-free 3D Specifications	
Best View Distance	3D: 0.6m ~1.5m 2D: unlimited
Best Viewing Angle	± 45°
Eye-tracking	Support
Grating Technology	Lenticular-lens
Viewpoints Number	Multi-views
Best Disparity	Horizontal disparity ≤ 5.8% Vertical disparity 0%
Electrical Specifications	
Input Voltage	AC100V - 240V (50Hz-60Hz)
Power Consumption	≤55W
Operating Temperature	0°C ~50°C
Operating Humidity	20%~90%, No Condensation
Storage Temperature	-20°C ~60°C
Storage Humidity	10%~90%, No Condensation
Physical Specifications	
Dimensions (without stand)	651(W) * 400(H)* 63(D)mm
Weight (without stand)	17 KG
Installation	wall mounted, floor stand

DIAGRAM



Data subject to change without notice.